

RESIDENTIAL OR COMMERCIAL
BUILDING WATER SERVICE APPLICATION

To the Village of Grand Rapids

The undersigned being the owner or agent of the property located at:

Name (Print)

(Phone Number)

(Property Address)

does hereby request a permit to install and connect a water service line to serve the
Residential/Commercial building at said location.

(please circle one)

1) The name, address and phone number of the plumber bonded with the Village who will perform the proposed work is: _____

IN CONSIDERATION OF THE GRANTING OF THIS PERMIT, THE UNDERSIGNED AGREES:

- a. To accept and abide by all rules and Ordinances of the Village of Grand Rapids, Ohio pertaining to Utilities.
- b. To maintain the water line at no expense to the Village.
- c. To notify the Village Inspection department 24 hours in advance when the water line is ready for inspection and connection to the public water supply, but before any portion of the work is covered.
- d. To accept and abide by all State and Federal laws pertaining to no cross connections of any other water systems.
- e. To install a suitable backflow prevention device in the service line on the Customer's side of the water meter.

Date: _____

Signed: _____
(applicant)

Property Owner: _____
(name - print)

Fee Paid: _____

_____ (current address)

Permit No. _____

_____ (city, state, zip)

_____ (phone number)



THE
VILLAGE OF GRAND RAPIDS
P.O. BOX 309, GRAND RAPIDS, OHIO 43522
(419) 832-5305 FAX (419) 832-0561

October 22, 2004

Water Tap Installation Information & Fees For 12" Transmission Main

The Village will install a 1" tap and service line from the water main to the property line.

The property owner is responsible to install the service line from the curb valve, located at the property line, to the house.

The Village will furnish, for your plumber to install, a ¾" inlet ball valve, meter yoke bar and double check valve outlet cartridge.

The water pressure is 70 –100 psi, therefore, the owner is required to install and maintain a pressure reducer.

Your plumber will have to install a thermo expansion tank on the inlet line of the hot water heater.

Your plumber will have to install a #20-3 solid core wire from the meter location to the outside remote reader.

The Village will install the meter after the thermo tank, pressure reducer and remote wire are installed.

There are options for the installation of outside meter pits.

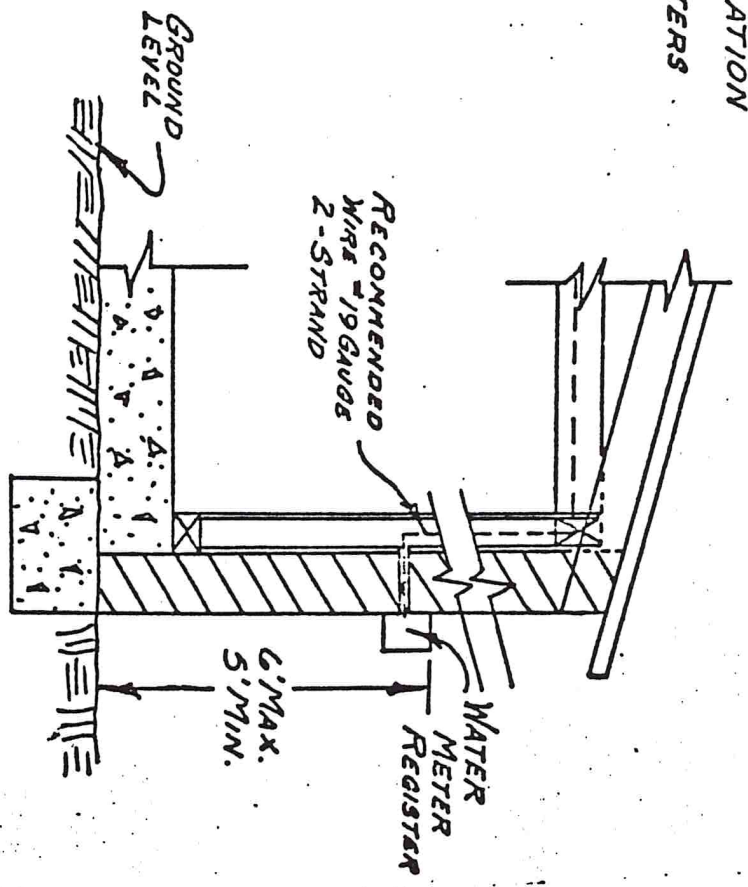
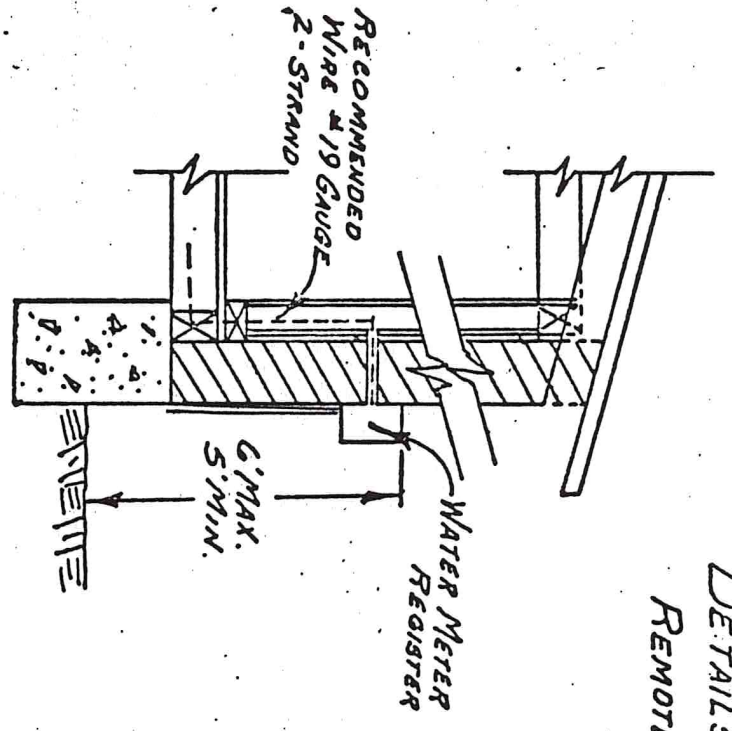
If you have any questions, please contact this office.

Sincerely,

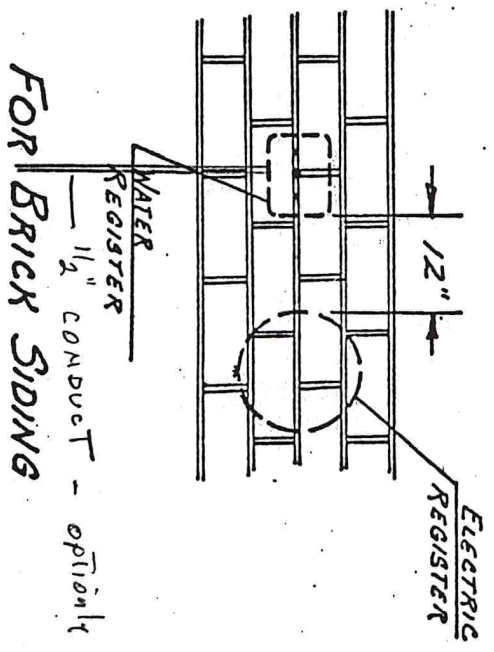
Chad Hoffman
Village Administrator

CH:kt

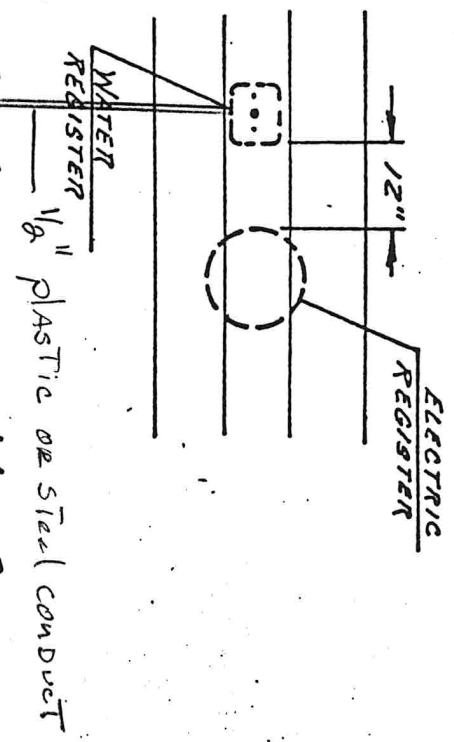
DETAILS OF THE INSTALLATION
OF
REMOTE METER REGISTERS



BASEMENT CONSTRUCTION



SLAB CONSTRUCTION



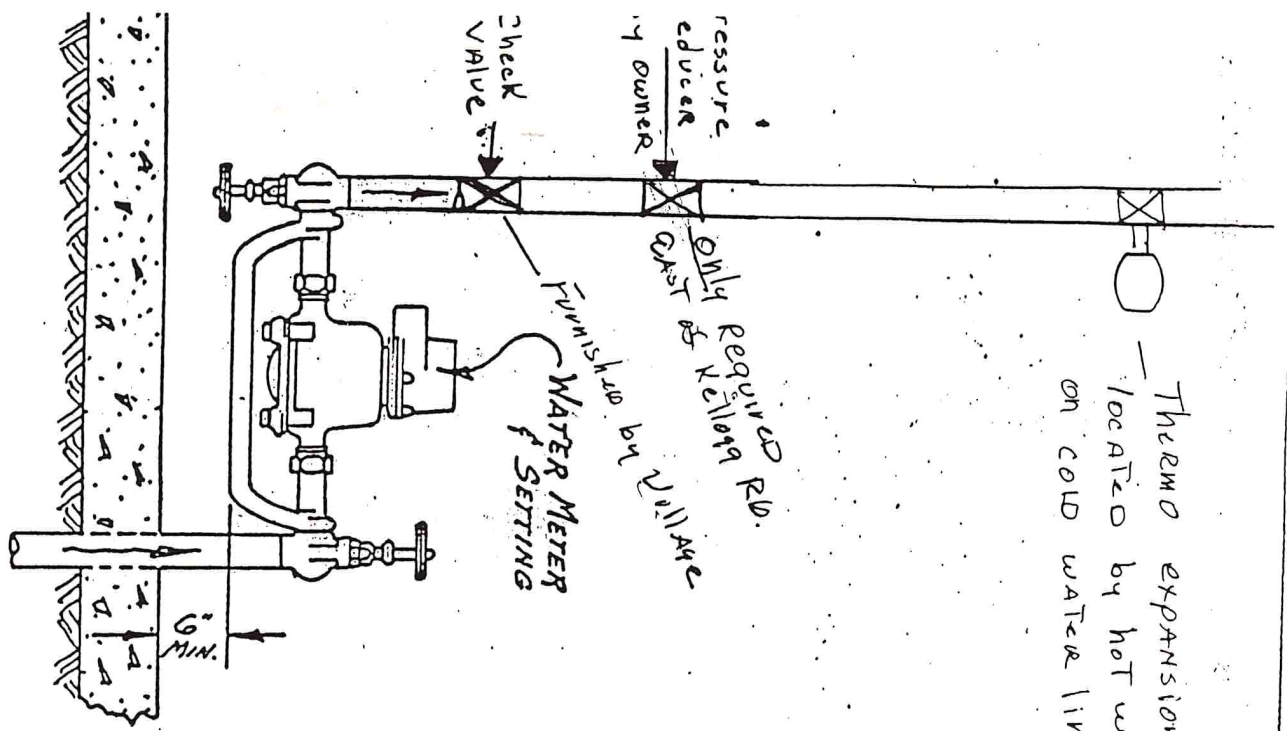
FOR BRICK SIDING

FOR ALUMINUM OR WOOD SIDING

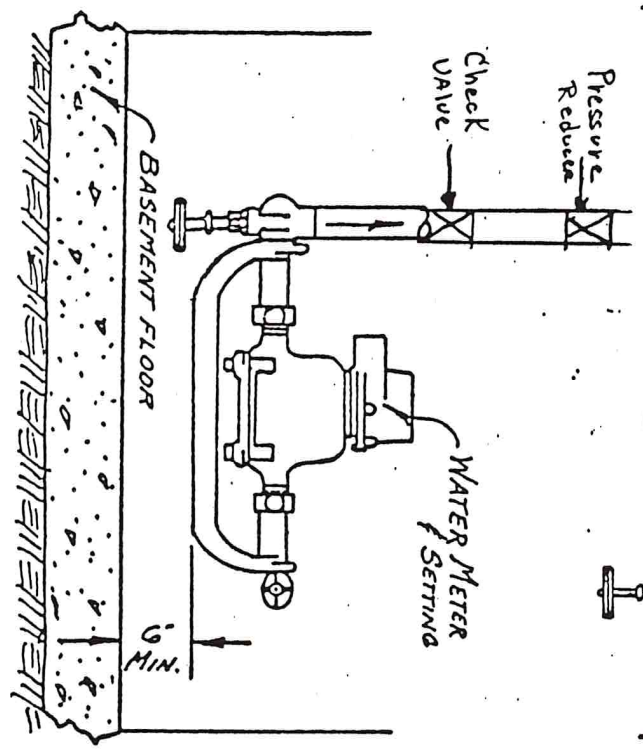
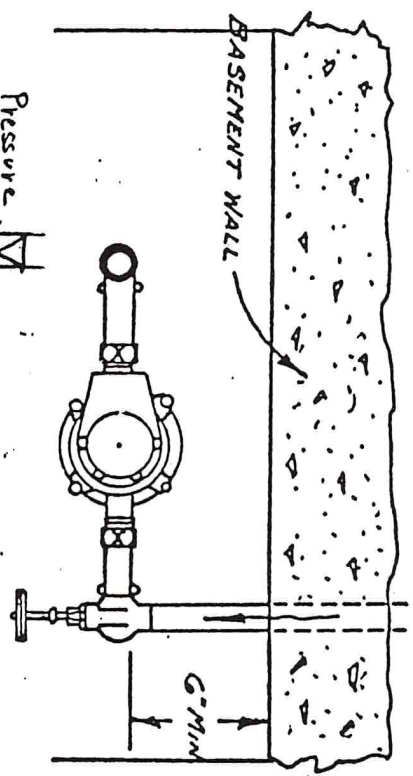
Village of GRAND RAPIDS

Water Dept.

ThermO expansion TANK
 located by hot water TANK
 on cold water line by owner



SLAB CONSTRUCTION (NO BASEMENT)



BASEMENT CONSTRUCTION

REMOTE METER SETTINGS
 Village of GRAND RAPIDS
 WATER DEPT.

REMOTE INSIDE METER SETTINGS